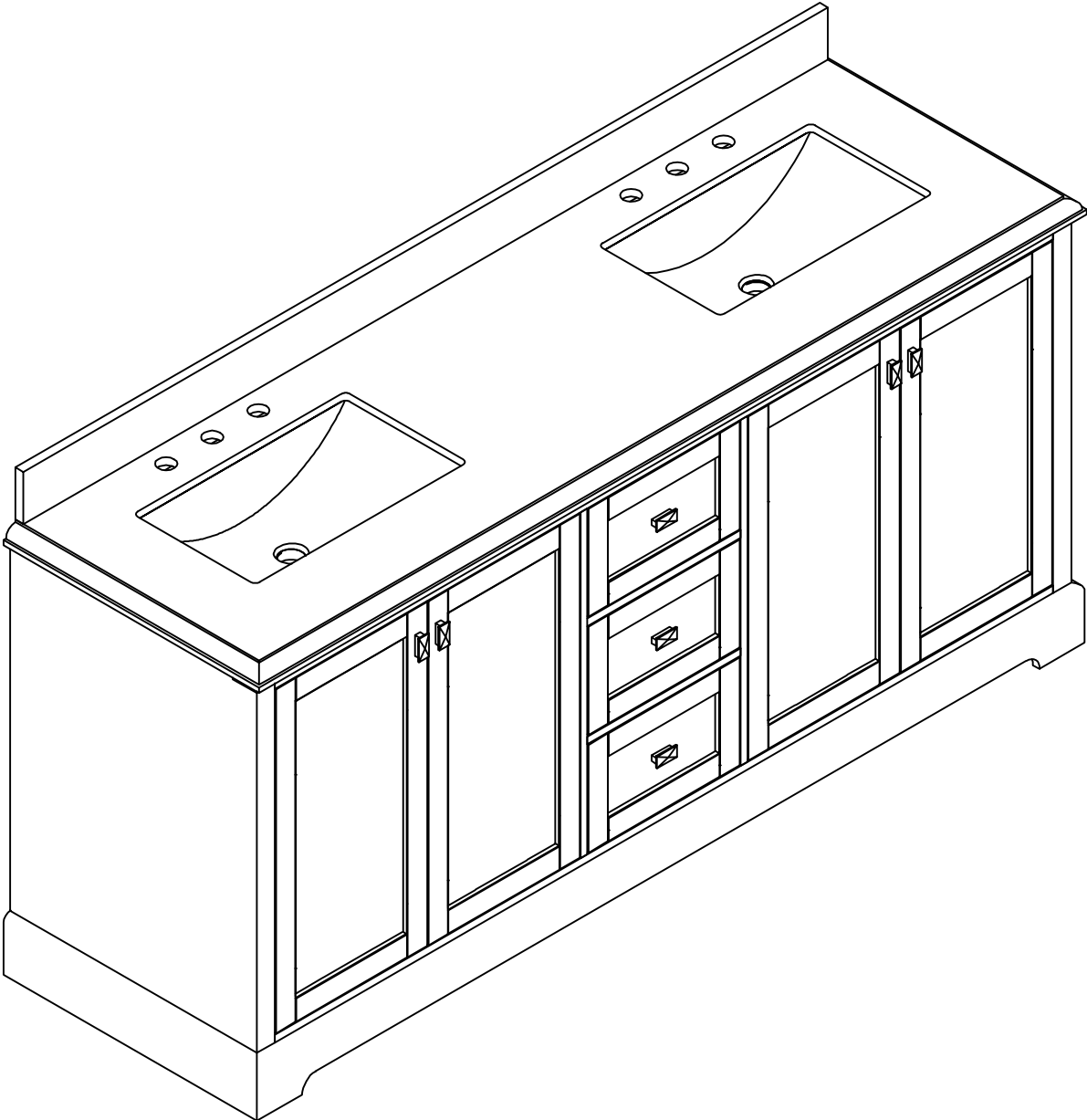
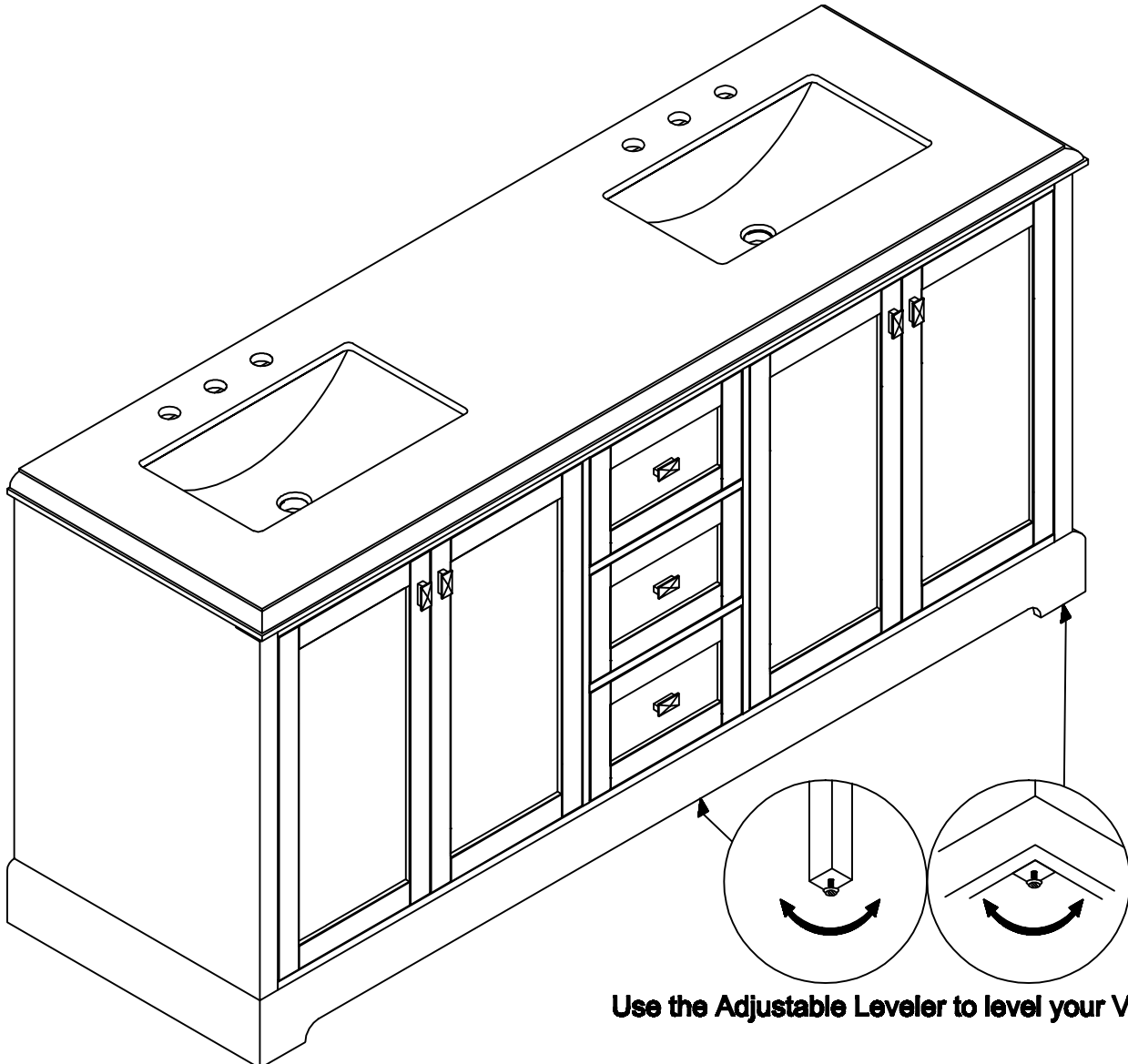


# 23V02-72 VANITY COMBO INSTALLATION



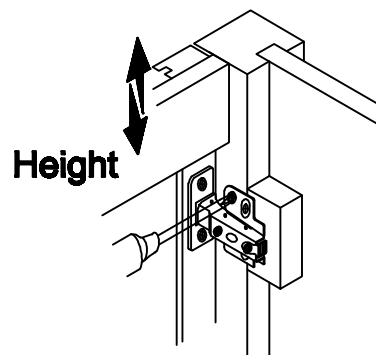
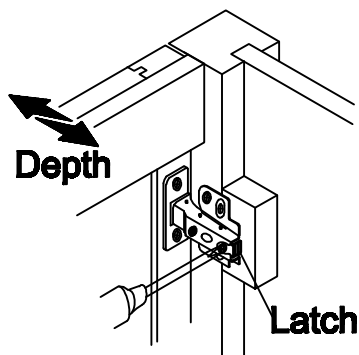
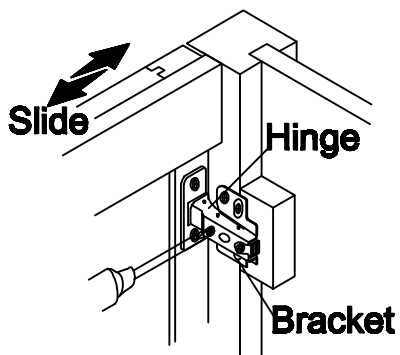
# Leveling Your Vanity



Use the Adjustable Leveler to level your Vanity

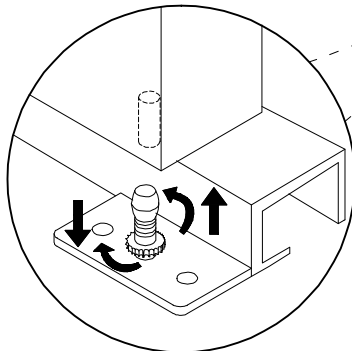
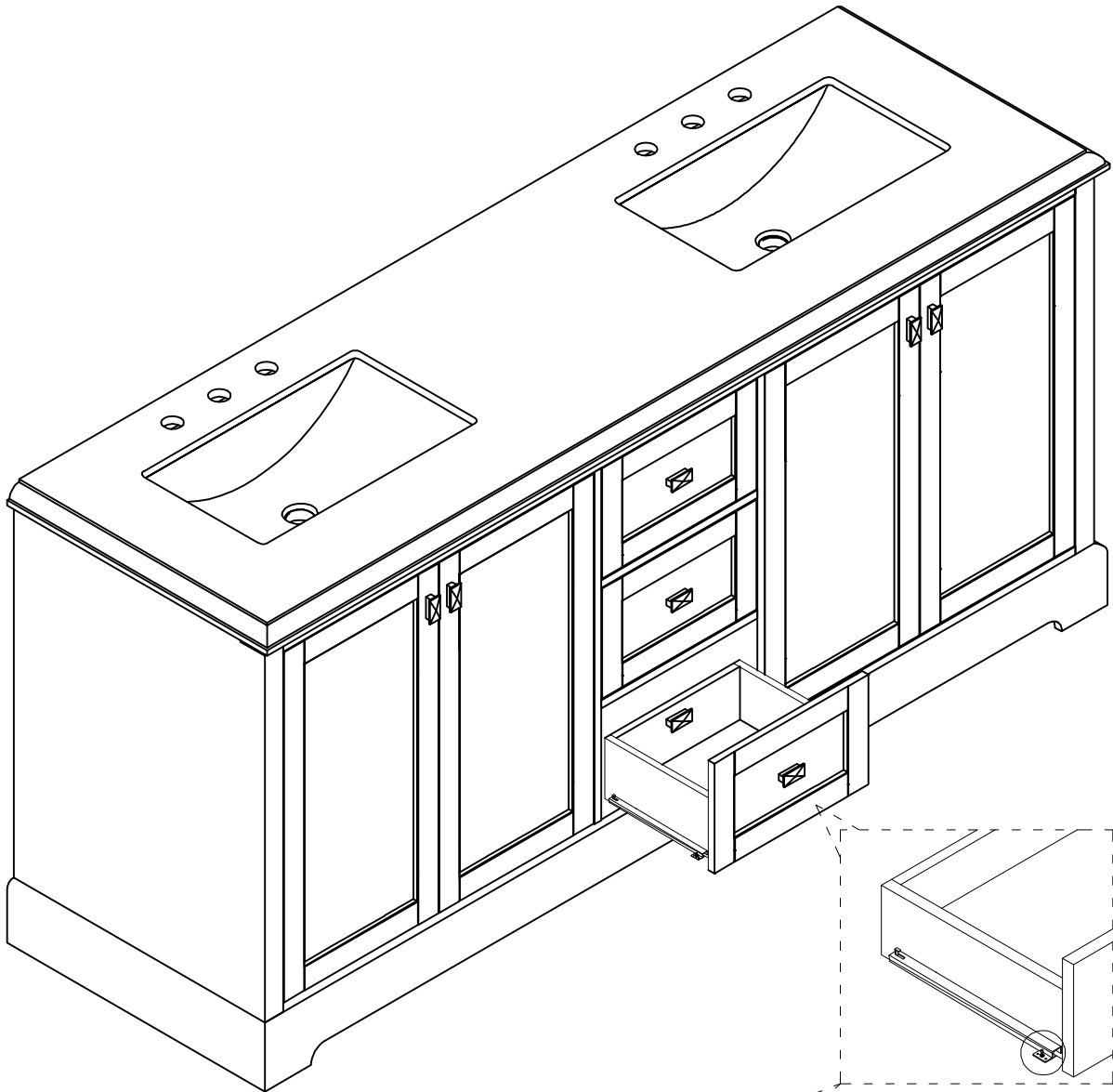
## Adjusting the Doors

Make sure the door is in the correct position, make adjustments, if necessary.



# Adjusting the drawers

---

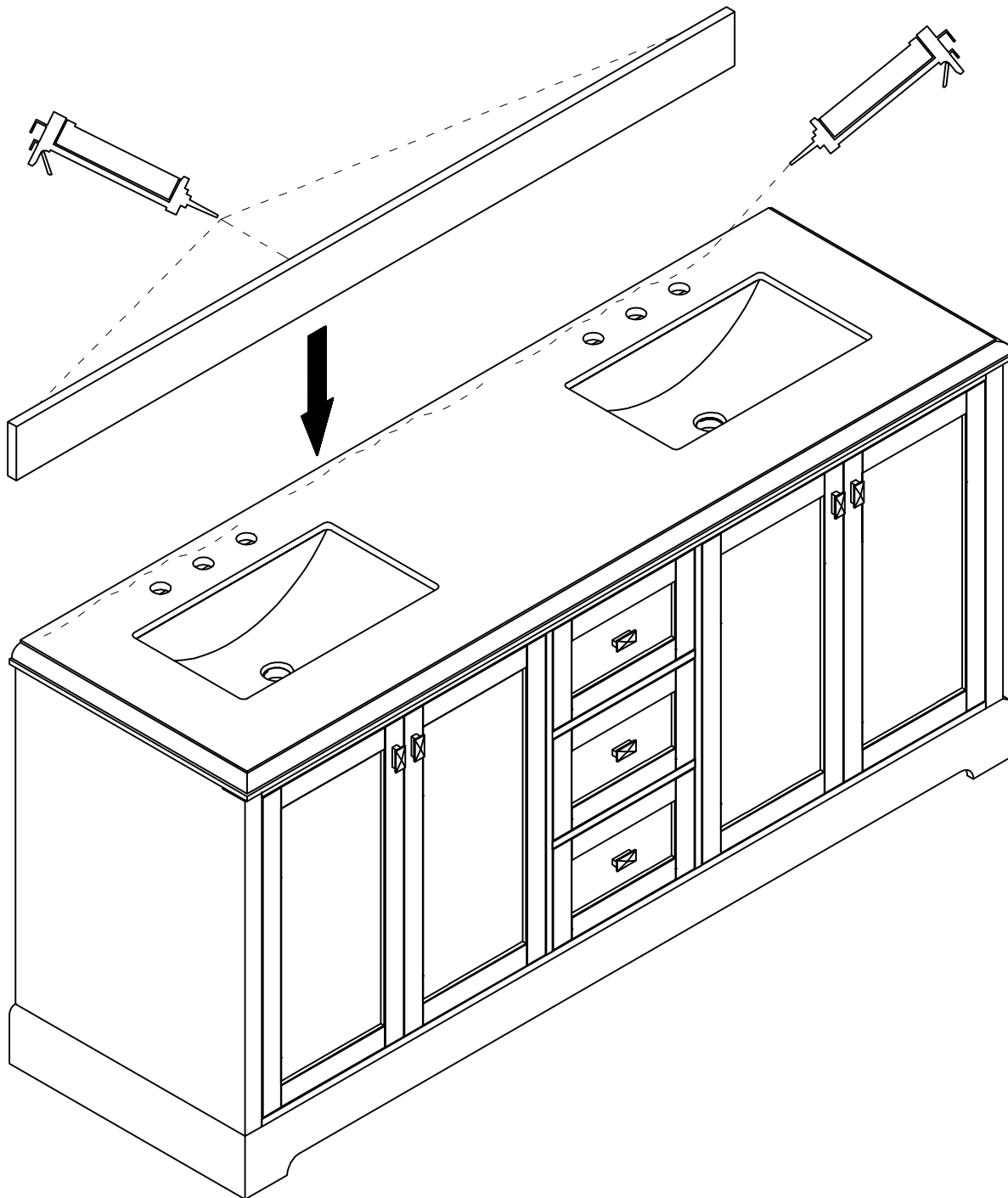


Adjust the drawers up and down

## Secure the Vanity Top and Back Splash to the Vanity

---

1. Center the Back Splash on the Basin.
2. Let the weight of the Back Splash rest on the Vanity Top to adhere to the Caulk
3. Place a bead of caulk along the top of the Back Splash and Wall



Let the Caulk set for 24 hours